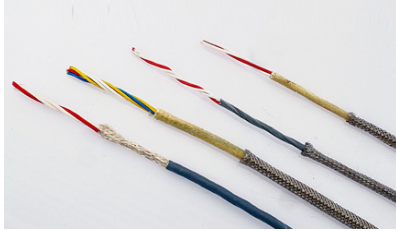


RTD EXTENSION WIRES:



RTD Cables are used as an extension wire to transmit Signal from RTD Sensor to Control Unit. They are available in 2,3,4,6,8, 9 cores as per the requirement of RTD SENSOR design for Simplex & Duplex Construction.

The most popular design is of PTFE Insulation & outer jacket of PTFE, GLASS FIBER & SILICONE RUBBER as per requirement. Metal over braid of SS & SPC, if required

ELTEC PTFE Insulated RTD Extension wires conforms to US Military **MIL – W – 16878** and Indian defense specifications **JSS 51034**. As per these standards, these wires are classified in three main working voltage grades.

GRADE	SPARK TESTING	DIE ELECTRIC TESTING
ET (250 V)	2500 V AC	1500 V AC
E (600 V)	3400 V AC	2000 V AC
EE (1000 V)	5000 V AC	3000 V AC

APPLICATIONS	PRODUCT FEATURES
<ul style="list-style-type: none"> • RTD Sensors & Extension Wires • RTD Autoclave • Medical Instruments & Scientific Equipments • Sensors, Load Cells & Pressure Transducers • Electronics & Communication Equipment • Process Instrumentation 	<ul style="list-style-type: none"> • Continuous use up to 260 °C • Intermittent use up to 300 °C • High dielectric values • Non flammable, non toxic • High strain & abrasion resistance • Immune to agene, fungus

PRODUCT SPECIFICATIONS:

Conductor	Silver Plated Copper wires sizes from 28 AWG to 20 AWG as per MIL – W - 16878 & JSS 51034, Refer Table for most popular & standard wire sizes
Core Insulation	Fused PTFE Tape , Fiber Glass, Silicone Rubber Extruded, Refer Ordering Code
No. of Pair or Triad	1, 2, 3 or more
Construction	Twisted
Outer Sheath	Fused PTFE Tape , Fiber Glass Insulated, Silicone Rubber Extruded, Refer Ordering Code
Screening	Silver Plated Copper wire Braid or SS Over Metal Braid
Color Code	Confirms to EN 60751

- Other types of Insulation & Jacket such as PVC, FEP, PFA is available on request.
- Screening of SS or Silver Plated Copper wire with Outside Jacket of PTFE
- Few Popular Conductor Sizes confirming to **MIL – W – 16878 & JSS 51034** are as per the table








ELTEC CABLES & INSTRUMENTS

16, Bhaktinagar Station Plot, Rajkot-360 002. INDIA.
 Tel. : +91 281 2480400 URL : www.thermocouplewire.co.in
 E-mail : eltecinc@gmail.com | sales@thermocouplewire.co.in

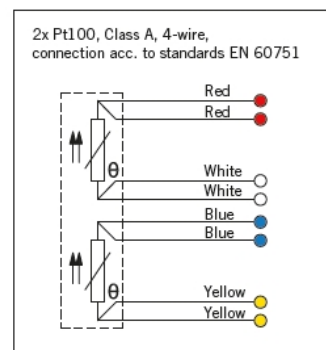
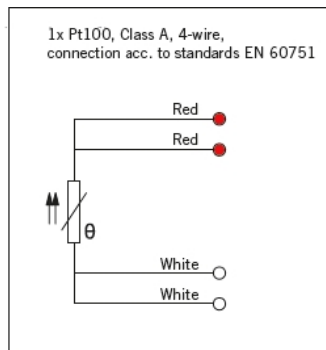
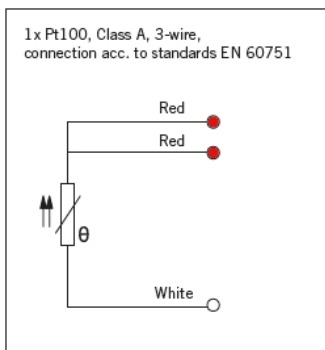
FEW POPULAR RTD CABLE WIRE SIZES as per MIL – W – 16878 & JSS 51034

Sr. No.	Size in AWG	No. of strands/dia. of each strand (mm)	Parameters of conductor (As per JSS 51034)			(Nominal) Elongation % (Min)	Nominal Dia. of Insulated Wire		
			Dia. (mm)	Cross section (sq. mm)	Resistance Ohm/km at 20° C		ET (250 V AC)	E (600 V AC)	EE (1000 V AC)
1.	26/7/34	7/0.16	0.48	0.1409	133.7	9.0	0.79	0.99	1.24
2.	24/7/32	7/0.2	0.60	0.2270	83.2	9.0	0.91	1.12	1.37
3.	24/19/36	19/0.13	0.63	0.2407	80.2	9.0	0.91	1.12	1.37
4.	22/7/30	7/0.25	0.75	0.3547	52.5	13.5	1.07	1.27	1.52
5.	22/19/34	19/0.16	0.80	0.3820	49.8	9.0	1.07	1.27	1.52
6.	20/7/28	7/0.32	0.97	0.5630	33.0	13.5	1.27	1.47	1.73
7.	20/19/32	19/0.2	1.00	0.6162	30.3	9.0	1.27	1.47	1.73

FEW POPULAR RTD CABLE CONSTRUCTIONS

CORE INSULATION	SHEATH INSULATION		MAX. TEMP.	INSULATING MATERIAL CHARACTERISTICS
PTFE Tapped	PTFE Tapped		260°C (500°F)	Resistance to abrasion, oil, moisture etc. with high electrical properties.
PTFE Tapped	SILICONE RUBBER		180°C (392°F)	Excellent flexibility & softness with good temperature resistant
PTFE	FIBER with SS Metal Braid		260°C (500°F)	Resistance to moisture & abrasion and higher temperature resistance
SILICONE RUBBER	SILICONE RUBBER		180°C (356°F)	Excellent flexibility & softness with good temperature resistant
FIBER GLASS	FIBER GLASS with SS Metal		500°C (932°F)	High temperature resistant & flame retardant
CERAMIC FIBER	CERAMIC FIBER		800°C (1472°F)	Extreme temperature resistant & flame retardant

RTD COLOR CODE as per EN 60751



ELTEC CABLES & INSTRUMENTS

16, Bhaktinagar Station Plot, Rajkot-360 002. INDIA.
 Tel. : +91 281 2480400 URL : www.thermocouplewire.co.in
 E-mail : eltecinc@gmail.com | sales@thermocouplewire.co.in



EMPOWERING PROCESS MANAGEMENT



RTD WIRE ORDERING CODE

Rx	RTD Wire
	# 1 Wire Size in AWG
	26 7 * 34 - 7 strands of 26 AWG
	24 7 * 32 - 7 strands of 32 AWG
	24 19 * 36 - 19 strands of 36 AWG
	22 7 * 30 - 7 strands of 30 AWG
	22 19 * 34 - 19 strands of 34 AWG
	20 7 * 28 - 7 strands of 28 AWG
	20 19 * 32 - 19 strands of 32 AWG
	X Others specify
	# 2 Conductor
	SPC Silver Plated Copper Wire (Standard)
	NPC Nickel Plated Copper Wire
	TPC Tin Plated Copper Wire
	# 3 No. of Cores
	2C Two Core Simplex
	3C Three Core Simplex
	4C Four Core Simplex
	6C Six Core Duplex
	8C Eight Core Duplex
	#4 Insulation
	P PVC Extruded
	T PTFE Fused (Standard)
	F Fiber Glass Braid (Standard)
	SR Silicone Rubber
	C Ceramic Fiber Braid
	EP FEP Extruded PTFE
	PF PFA Extruded PTFE
	# 5 Outer Jacket
	P PVC Extruded
	T PTFE Fused (Standard)
	F Fiber Glass Braid
	C Ceramic Fiber Braid (Standard)
	SR Silicone Rubber
	EP FEP Extruded PTFE
	PF PFA Extruded PTFE
	# 6 Shielding
	0 No Shield
	S SS Metal Over Braid
	Sl Silver Plated Braid
	Sh Aluminum Mylar with Drain Wire

Rx	24	AWG	SPC	6C	T	T	S
----	----	-----	-----	----	---	---	---



ELTEC CABLES & INSTRUMENTS

16, Bhaktinagar Station Plot, Rajkot-360 002. INDIA.
 Tel. : +91 281 2480400 URL : www.thermocouplewire.co.in
 E-mail : eltecin@gmail.com | sales@thermocouplewire.co.in